

# AUDIO AND VIDEO MODULES

or entry panels with non-Bpt front plates

Applying many of the winning features of the Thangram series, Bpt now extends its range of entry panels with the addition of audio and colour video entry modules for the X1 and XIP systems. This device is extremely flexible in terms of installation, since personalized non-Bpt metal front plates can be used to select the panel that meets the exact requirements of the user.

## VERSIONS



DMVC



DMC

- Colour video with excellent image quality by day or night, thanks to an optimized lighting system
- Acoustic and visual status signalling
- Connector for connection of the first four buttons (cable supplied as standard)
- Possibility of cascade connection of up to 8 VZS/308C call expansion modules
- Microphone with remote-control option
- Connector for general matrix keyboard for access control

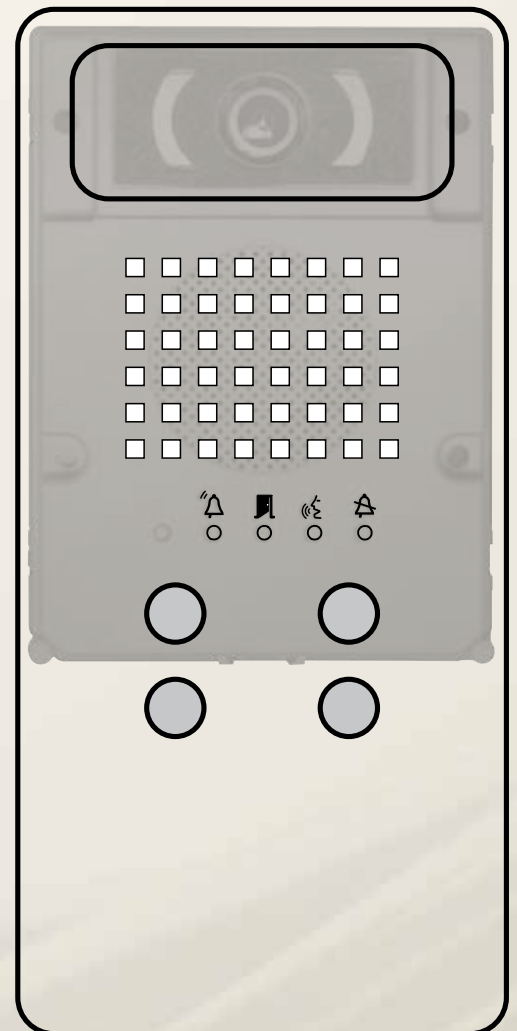
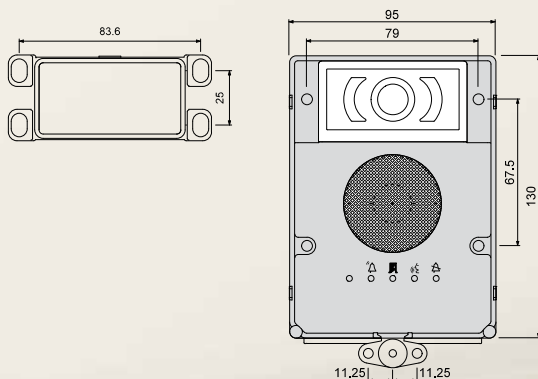
## COMPATIBLE SYSTEM



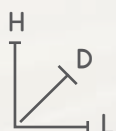
INTERNET PROTOCOL



2 WIRES



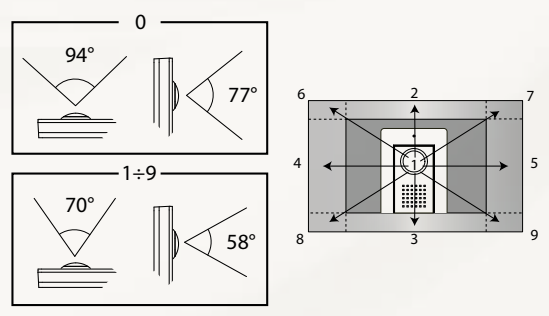
## MODULE DIMENSIONS



L (mm)	H (mm)	D (mm)
95	130	35

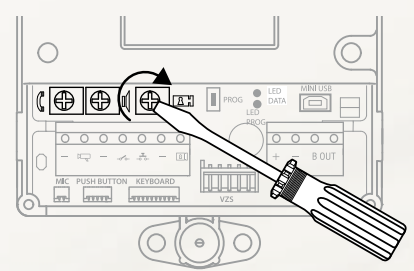
## DIGITAL ADJUSTMENT OF THE ANGLE OF APERTURE

The DMVC video module with the "wide eye" feature (angle of aperture: 94° horizontal, 77° vertical) allows the camera to capture a very wide area (for example, at a distance of 50 cm from the entry panel, the field of vision is 108 cm in width and 80 cm in height). During installation of the entry panel, the angle of aperture of the camera can be reduced to 70° by digitally adjusting the zoom, and the camera can be oriented in the desired direction.



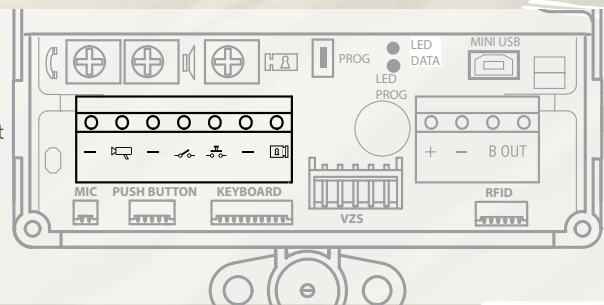
## SIMPLE AND EASILY-ACCESSIBLE ADJUSTMENT

The microphone and loudspeaker audio signal and the solenoid lock can be adjusted very simply by removing the rear panel – no need to access the electronic components.



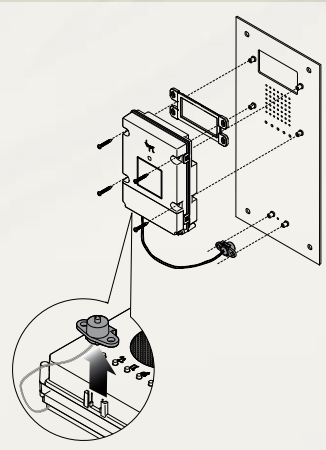
## FUNCTIONS OF THE TERMINALS

As well as the solenoid lock, the terminal block can be used to connect a door-release button, a door status signalling device and a switch controlling any supplementary lighting points.



## INSTALLATION

The DVMC and DMDMCC modules can be easily installed in non-Bpt front plates, connecting the microphone or the camera lens (for video modules) and the call buttons and then securing the module to the front plate of the entry panel.



## CODES AND ARTICLES

### AUDIO AND VIDEO MODULES

DMC/01	60090660	X1 system audio entry system module	
DMC/08	60090670	XIP system audio entry system module	
DMVC/01	62020080	X1 system audio/video entry system module	
DMVC/08	62020090	XIP system audio/video entry system module	